

NOBLELIFT

NEW *Noblelift Products*  
ARRIVAL

# A Series Internal Combustion Forklift Trucks

8.5/9.0/10.0t



NOBLELIFT INTELLIGENT EQUIPMENT CO., LTD.

## A Series Internal Combustion Forklift Trucks

8.5/9.0/10.0t

The A Series 8.5–10t IC Forklifts are heavy-duty counterbalanced trucks independently developed by Noblelift, featuring advanced technology, modern family-style design, a 6-cylinder fuel-efficient engine, enhanced ergonomics, reinforced mast structure, and a highly reliable cooling system. This makes them the preferred choice for demanding applications.

- The vehicle exterior follows the A Series family design, adopting a standard wheelbase, small turning radius, and flexible operation.
- Standard configuration adopts a 6-cylinder National IV engine with stronger power, lower noise, good response at low to medium speeds, and smooth start-up, extending overhaul intervals under heavy-duty conditions.
- The standard 10t truck has a self-weight of 13.7t, meeting the needs of stone, steel, timber, ports, and rental markets without additional options or modifications.
- Heavy-duty transmission for port applications, paired with a reinforced hub reduction drive axle to support intensive operations. Steering axle kingpin bearings adopt tapered roller bearings for the first time in the industry, extending steering axle life.
- Reinforced design of frame and mast structures meets heavy-duty operating requirements.
- Reinforced mast for port applications, featuring a full-width load backrest aligned with the truck frame, eight main rollers, six side rollers, and a heavy-duty fork positioner cylinder to withstand demanding heavy-duty and unbalanced loads.
- Optimized cooling duct in counterweight with widened plate-fin radiator significantly improves vehicle thermal balance, ensuring reliable engine and transmission operation.
- Standard hydraulic oil cooler and return oil filter ensure hydraulic system reliability under continuous heavy-duty operations.
- Floating seat, audio-visual alarm, and color display instrument are all standard.
- Floorboard and side panels removable without tools, engine hood opens 80°, providing convenient and fast maintenance.



Smart LCD display with real-time vehicle status monitoring.



Stylish cup holder and pen storage.



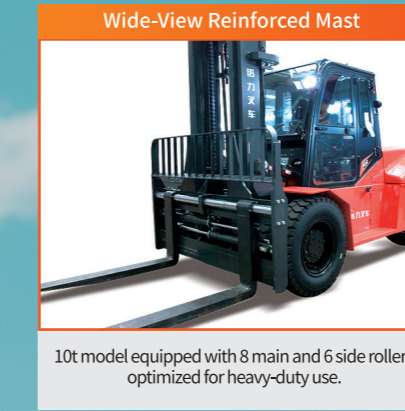
Full LED lighting system.



Air conditioning available for enhanced comfort.



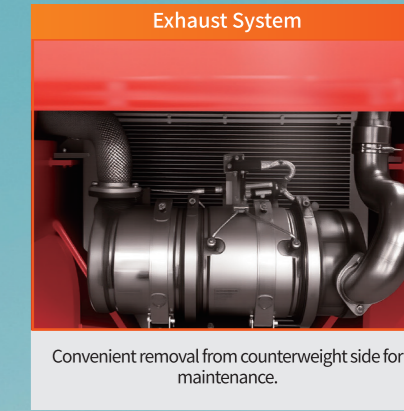
Side-mounted cooler reduces oil temperature.



10t model equipped with 8 main and 6 side rollers, optimized for heavy-duty use.



ECU, fuse box, and preheating relays integrated for easy service.



Convenient removal from counterweight side for maintenance.



80° engine hood opening for easy access.



Simplified servicing of key components.



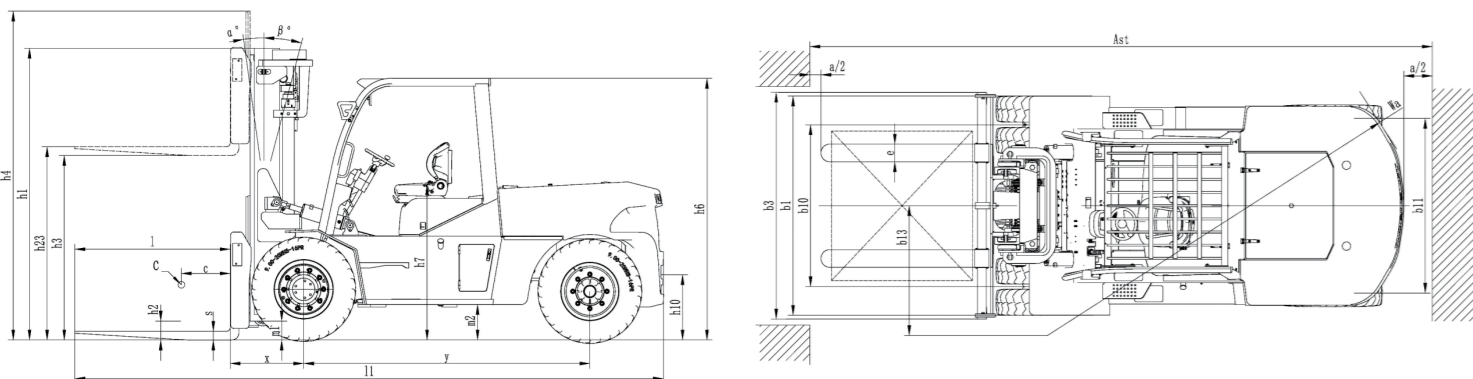
With tapered roller bearings.



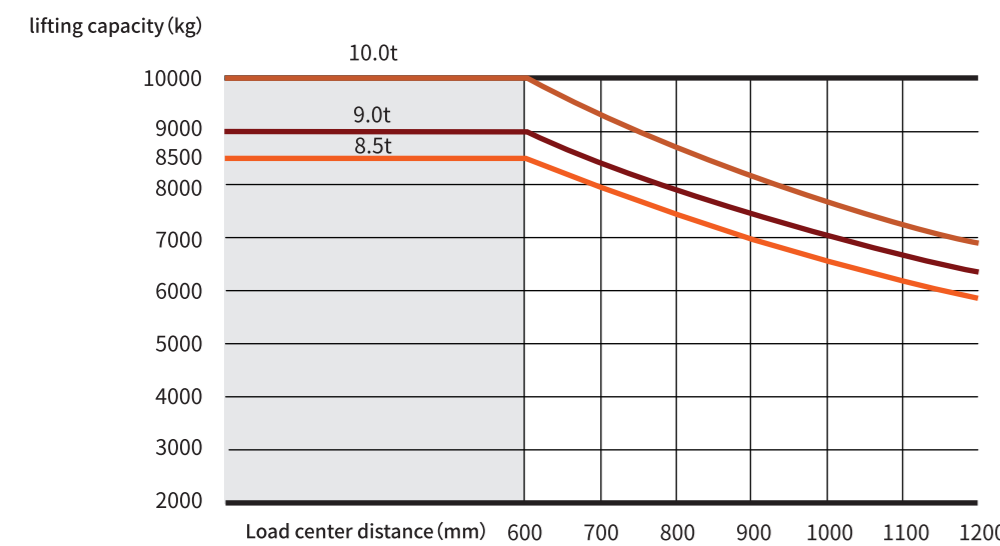
Stronger grip and durability.



### Structure diagram



### Load curve diagram



### NOBLELIFT CHINA

Add:528 Changzhou Road, Taihu Sub-district, Changxing, Zhejiang 313100 China  
Tel:86-572-6210817 6210311  
Fax:86-572-6210777 6128612  
Email: info@noblelift.com  
Http: www.noblelift.com www.noblelift.cn



Official website



Our Wechat

All specifications and figures are subject to change without notice for improvement.

### A Series Internal Combustion Forklift Trucks Performance Parameters Table

No.20250829(V0)

Identification	Parameter	Unit	Model									
			NOBLELIFT CPCD85-AQ3	NOBLELIFT CPCD85-AY1	NOBLELIFT CPCD85-AW2	NOBLELIFT CPCD90-AQ3	NOBLELIFT CPCD90-AY1	NOBLELIFT CPCD90-AW2	NOBLELIFT CPCD100-AQ3	NOBLELIFT CPCD100-AY1	NOBLELIFT CPCD100-AW2	
Weights	1.1 Manufacture(abbreviation)		NOBLELIFT	NOBLELIFT	NOBLELIFT	NOBLELIFT	NOBLELIFT	NOBLELIFT	NOBLELIFT	NOBLELIFT	NOBLELIFT	
	1.2 Manufacturer's type designation		CPCD85-AQ3	CPCD85-AY1	CPCD85-AW2	CPCD90-AQ3	CPCD90-AY1	CPCD90-AW2	CPCD100-AQ3	CPCD100-AY1	CPCD100-AW2	
	1.3 Drive:electric(battery or mains),diesel,petrol gas,manual)		Diesel	Diesel	Diesel	Diesel	Diesel	Diesel	Diesel	Diesel	Diesel	
	1.4 Type of operation(hand,pedestrian,standing,seated,order-picker)		Seated	Seated	Seated	Seated	Seated	Seated	Seated	Seated	Seated	
	1.5 Load capacity/rated load	Q(kg)	8500	8500	8500	9000	9000	9000	10000	10000	10000	
	1.6 Load centre distance	C(mm)	600	600	600	600	600	600	600	600	600	
	1.8 Load distance,centre of drive axle to fork	x(mm)	700	700	700	700	700	700	710	710	710	
	1.9 wheelbase	y(mm)	2600	2600	2600	2600	2600	2800	2800	2800	2800	
	2.1 Service weight incl	kg	12400	12300	12300	12800	12700	12700	13700	13600	13600	
2.2 Axle loading ,laden front/rear	kg	18800/2100	18750/2050	18750/2050	19600/2200	19550/2150	19550/2150	21200/2500	21150/2450	21150/2450		
2.3 Axle loading,unladen front/rear	kg	6300/6100	6300/6000	6300/6000	6300/6500	6300/6400	6300/6400	6500/7200	6500/7100	6500/7100		
Wheels, Chassis	3.1 Type:solid rubber,superelastic,pneumatic,polyurethane		Pneumatic tire	Pneumatic tire	Pneumatic tire	Pneumatic tire	Pneumatic tire	Pneumatic tire	Pneumatic tire	Pneumatic tire		
	3.2 Tyres size,front		9.00-20-14PR	9.00-20-14PR	9.00-20-14PR	9.00-20-14PR	9.00-20-14PR	9.00-20-14PR	9.00-20-14PR	9.00-20-14PR		
	3.3 Tyres size,rear		9.00-20-14PR	9.00-20-14PR	9.00-20-14PR	9.00-20-14PR	9.00-20-14PR	9.00-20-14PR	9.00-20-14PR	9.00-20-14PR		
	3.5 Wheels,number front/rear(×=driven wheels)		4X/2	4X/2	4X/2	4X/2	4X/2	4X/2	4X/2	4X/2		
	3.6 Track width,front	b10(mm)	1600	1600	1600	1600	1600	1600	1600	1600		
	3.7 Track width,rear	b11(mm)	1720	1720	1720	1720	1720	1720	1720	1720		
	3.8 Mast,fork carriage tilt forward/backward	α/β(°)	6/12	6/12	6/12	6/12	6/12	6/12	6/12	6/12		
Basic Dimensions	4.2 Lowered mast height	h1(mm)	2700	2700	2700	2700	2700	2700	2850	2850		
	4.3 Free lift	h2(mm)	190	190	190	190	190	200	200			
	4.4 Lift height	h3(mm)	3000	3000	3000	3000	3000	3000	3000			
	4.4a Lift height (Including cargo fork)	h23(mm)	3070	3070	3070	3070	3070	3080	3080			
	4.5 Extended mast height	h4(mm)	4250	4250	4250	4250	4250	4400	4400			
	4.7 Overhead load guardheight	h6(mm)	2560	2560	2560	2560	2560	2560	2560			
	4.8 Seat height,standing height	h7(mm)	1470	1470	1470	1470	1470	1470	1470			
	4.12 Coupling heigh	h10(mm)	480	480	480	480	480	480	480			
	4.19 Overall length (Including cargo fork)	l1(mm)	5710	5710	5710	5710	5710	6070	6070			
	4.20 Overall length	l2(mm)	4040	4040	4040	4040	4040	4250	4250			
	4.21 Overall width (Frame/tires)	b1(mm)	2165/2165	2165/2165	2165/2165	2165/2165	2165/2165	2165/2165	2165/2165			
	4.22 Fork dimensions	s/e/(mm)	1670/175/70	1670/175/70	1670/175/70	1670/175/70	1670/175/70	1670/175/80	1670/175/80			
	4.23 Fork mounting grade		5A	5A	5A	5A	5A	5A	5A			
	4.24 Width of fork rack	b3(mm)	2100	2100	2100	2100	2100	2200	2200			
	4.31 Ground clearance ,laden,under mast	m1(mm)	250	250	250	250	250	250	250			
	4.32 Ground clearance,centre of wheelbase	m2(mm)	330	330	330	330	330	330	330			
	4.34.1 Aisle width for pallets 1000×1200 crossways	Ast(mm)	5600	5600	5600	5600	5600	5810	5810			
	4.34.2 Aisle width for pallets 800×1200 lengthways	Ast(mm)	5800	5800	5800	5800	5800	6010	6010			
	4.35 Turning radius	Wa(mm)	3700	3700	3700	3700	3700	3900	3900			
	4.36 Inside turning radius	b13(mm)	1100	1100	1100	1100	1100	1100	1100			
Performance Data	5.1 Travel speed,laden/unladen	km/h	28/31	28/31	26/28	28/31	28/31	26/28	28/31	26/28		
	5.2 Lift speed,laden/unladen	mm/s	390/420	390/420	360/390	390/420	390/420	330/350	330/350	360/390		
	5.3 Lowering speed,laden/unladen	mm/s	400/380	400/380	400/380	400/380	400/380	400/380	400/380	400/380		
	5.6 Max.Drawbar pull ,laden/unladen	kN	82/45	82/45	82/45	82/45	82/45	82/45	82/50	82/45		
	5.7 Max.Gradient performance,laden/unladen S2	%	25/20	25/20	21/20	25/20	25/20	21/20	23/20	21/20		
	5.10 Max.Gradient performance,laden/unladen S2		Fully hydraulic	Fully hydraulic	Fully hydraulic	Fully hydraulic	Fully hydraulic	Fully hydraulic	Fully hydraulic	Fully hydraulic		
	5.11 Service brake		Mechanical	Mechanical	Mechanical	Mechanical	Mechanical	Mechanical	Mechanical	Mechanical		
Engine	7.1 Engine builder		Quan Chai S65-130C41 (China IV)	Yuchai YCA05115-S500 (Euro V)	Isuzu 6BG1QC-02 (Euro I)	Quan Chai S65-130C41 (China IV)	Yuchai YCA05115-S500 (Euro V)	Isuzu 6BG1QC-02 (Euro I)	Quan Chai S65-130C41 (China IV)	Yuchai YCA05115-S500 (Euro V)	Isuzu 6BG1QC-02 (Euro I)	
	7.2 Engine power rating ISO1585	kw	95.6	85	82.4	95.6	85	82.4	95.6	85	82.4	
	7.3 Rated speed	rpm	2200	2200	2200	2200	2200	2200	2200	2200	2200	
	7.4 Number of cylinders/displacement	cm3	6/6670	4/4837	6/5785	6/6670	4/4837	6/5785	6/6670	4/4837	6/5785	
	7.5a Maximum torque	N.m/rpm	540/1400-1650	500/1300-1500	417/1500	540/1400-1650	500/1300-1500	417/1500	540/1400-1650	500/1300-1500	417/1500	
7.9 Nominal voltage	V	24	24	24	24	24	24	24	24	24		
Gearbox	7.10 Battery capacity	V/Ah	24/90	24/90	24/90	24/90	24/90	24/90	24/90	24/90		
	8.1 Transmission type		Hydraulic torque converter	Hydraulic torque converter	Hydraulic torque converter	Hydraulic torque converter	Hydraulic torque converter	Hydraulic torque converter	Hydraulic torque converter	Hydraulic torque converter		
	8.2 Gear forward/backward		2/2	2/2	2/2	2/2	2/2	2/2	2/2	2/2		
	8.3 Shifting mode		Electro-hydraulic	Electro-hydraulic	Electro-hydraulic	Electro-hydraulic	Electro-hydraulic	Electro-hydraulic	Electro-hydraulic	Electro-hydraulic		
Other Details	10.1 Operating pressure for attachments	Mpa	21	21	21	21	21	21	21	21		
	10.2 Oil volume for attachments	L/min	60	60	60	60	60	60	60	60		
	10.4 Fuel tank volume	L	140	140	140	140	140	140	140	140		
	10.8 Traction pin specification DIN 15170		45	45	45	45	45	45	45	45		

### A Series Internal Combustion Forklift Trucks Mast Parameters Table

No.20250829(V0)

Designation	Mast table	Lift height	Mast height						Free lift				Load capacity			
			Closed mast height		Extended mast height				Without load backrest		With load backrest		Capacity table(kg) C=600mm without attachment			
			mm	mm	mm	mm	mm	mm	mm	mm	mm	mm	mm	mm	mm	mm
Two-stage-ZT	A85/90/100/M250	2500	2450	2600	3750	3750	3750	3750	190	200	700	710	6/12	8500	9000	10000
	A85/90/100/M270	2700	2550	2700	3950	3950	3950	3950	190	200	700	710	6/12	8500	9000	10000
	A85/90/100/M300	3000	2700	2850	4250	4250	4250	4250	190	200	700	710	6/12	8500	9000	10000
	A85/90/100/M330	3300	2850	3000	4550	4550	4550	4550	190	200	700	710	6/12	8500	9000	10000
	A85/90/100/M350	3500	2950	3100	4750	4750	4750	4750	190	200	700	710	6/12	8500	9000	10000
	A85/90/100/M375	3750	3075	3225	5000	5000	5000	5000	190	200	700	710	6/12	8500	9000	10000
	A85/90/100/M400	4000	3250	3400	5250	5250	5250	5250	190	200	700	710	6/12	8500	9000	10000
	A85/90/100/M425	4250	3375	3525	5500	5500	5500	5500	190	200	700	710	6/12	8000	9000	10000
	A85/90/100/M450	4500	3500	3650	5750	5750	5750	5750	190	200	700	710	6/12	7500	8500	10000
	A85/90/100/M475	4750	3625	3775	6000	6000	6000	6000	190	200	700	710	6/6	7000	8000	9500
Two-stage-Full Free Lift	A85/90/100/M500	5000	3750	3900	6250	6250	6250	6250	190	200	700	710	6/6	6500	7800	9000
	A85/90/100/M550	5500	4050	4200	6750	6750	6750	6750	190	200	700	710	6/6	6000	7500	8500
	A85/90/100/M600	6000	4300	4450	7250	7250	7250	7250	190	200	700	710	6/6	5500	7300	8000
	A85/90/100/M650	6500	4650	4700	7750	7750	7750	7750	190	200	700	710	6/6	5000	6800	7500
	A85/90/100/U250	2500	2450	2600	3750	3750	3750	3750	1250	1215	700	710	6/12	8500	9000	10000
	A85/90/100/U270	2700	2550	2700	3950	3950	3950	3950	1350	1315	700	710	6/12	8500	9000	10000
	A85/90/100/U300	3000	2700	2850	4250	4250	4250	4250	1500	1465	700	710	6/12	8500	9000	10000
	A85/90/100/U330	3300	2850	3000	4550	4550	4550	4550	1650	1615	700	710	6/12	8500	9000	10000
	A85/90/100/U350	3500	2950	3100	4750	4750	4750	4750	1750	1715	700	710	6/12	8500	9000	10000
	A85/90/100/U375	3750	3075	3225	5000	5000	5000	5000	1875	1840	700	710	6/12	8500	9000	10000
Three-stage-Full Free Lift	A85/90/100/U400	4000	3250	3400	5250	5250	5250	5250	2050	2015	700	710	6/12	8500	9000	10000
	A85/90/100/U425	4250	3375	3525	5500	5500	5500	5500	2175	2140	700	710	6/12	8000	9000	10000
	A85/90/100/U450	4500	3500	3650	5750	5750	5750	5750	2300	2265	700	710	6/12			